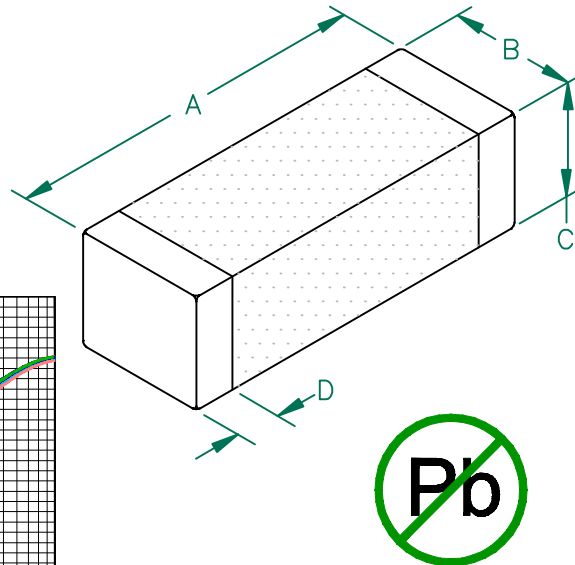


# LI1806E800R-10

**UNCONTROLLED DOCUMENT**

## PHYSICAL DIMENSIONS:

|   |             |               |
|---|-------------|---------------|
| A | 4.50 [.177] | + 0.25 [.010] |
| B | 1.60 [.063] | + 0.25 [.010] |
| C | 1.60 [.063] | + 0.25 [.010] |
| D | 0.51 [.020] | + 0.25 [.010] |

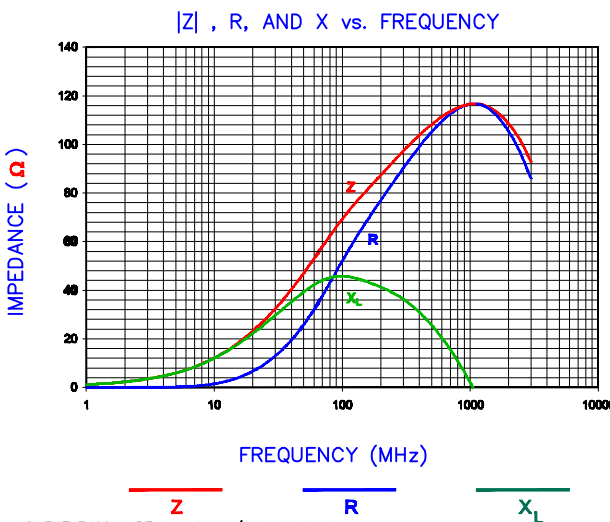
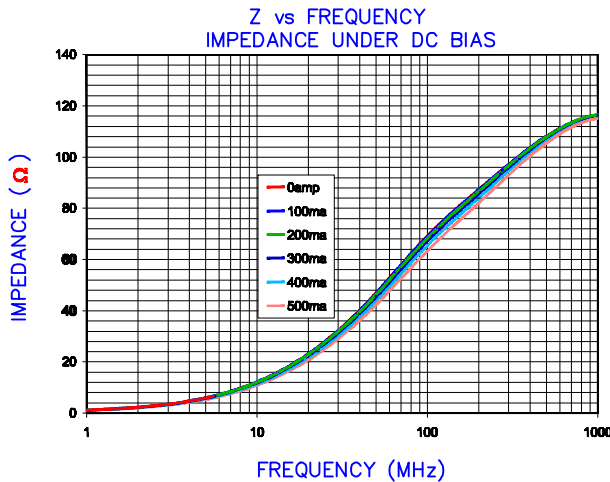


## ELECTRICAL CHARACTERISTICS:

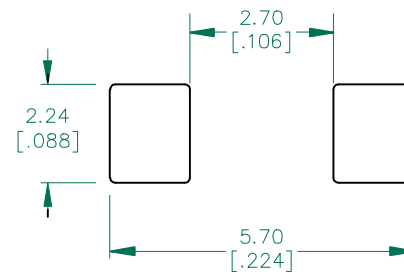
| Z @ 100MHz<br>( $\Omega$ ) | DCR<br>( $\Omega$ ) | Rated Current |
|----------------------------|---------------------|---------------|
| Nominal                    | 80                  |               |
| Minimum                    | 60                  |               |
| Maximum                    | 100                 | 500 mA        |

NOTES: UNLESS OTHERWISE SPECIFIED

1. TAPED AND REELED per CURRENT EIA SPECIFICATIONS 7" REELS, 2,000 PCS/REEL.
2. TERMINATION FINISH IS 100% TIN.
3. COMPONENTS SHOULD BE ADEQUATELY PREHEATED BEFORE SOLDERING.

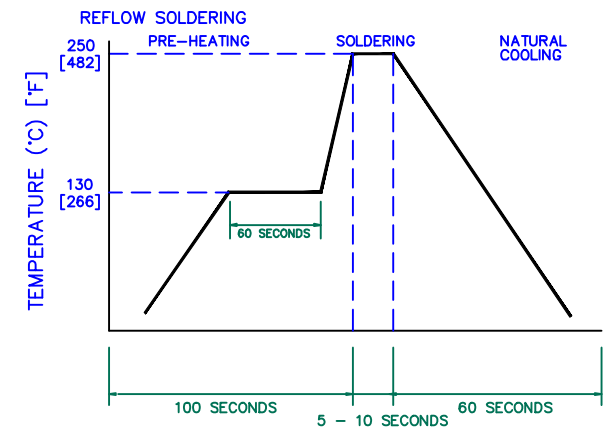


## LAND PATTERNS FOR REFLOW SOLDERING



(For wave soldering, add 0.762 [.030] to this dimension.)

## RECOMMENDED SOLDERING CONDITIONS



| DIMENSIONS ARE IN mm [INCHES]. |                                                                    |          |     | This print is the property of Laird Tech. and is loaned in confidence subject to return upon request and with the understanding that no copies shall be made without the written consent of Laird Tech. All rights to design or invention are reserved. |  |          |            |           |
|--------------------------------|--------------------------------------------------------------------|----------|-----|---------------------------------------------------------------------------------------------------------------------------------------------------------------------------------------------------------------------------------------------------------|--|----------|------------|-----------|
| E                              | CHANGE REEL QTY FROM 3K TO 2K                                      | 11/05/08 | JRK | PROJECT/PART NUMBER:<br><b>LI1806E800R-10</b>                                                                                                                                                                                                           |  | REV      | PART TYPE: | DRANN BY: |
| D                              | UPDATE COMPANY LOGO                                                | 07/24/08 | JRK |                                                                                                                                                                                                                                                         |  | E        | CO-FIRE    | JRK       |
| C                              | CORRECT REF # FROM 3289 TO 3298                                    | 07/22/05 | JRK |                                                                                                                                                                                                                                                         |  | DATE:    | SCALE:     | SHEET:    |
| B                              | CORRECT LANDPATTERN DIM AND TEMP IN REFLOW SOLDERING, ADD DC CURVE | 04/14/03 | JRK |                                                                                                                                                                                                                                                         |  | 08/07/02 | NTS        |           |
| A                              | ORIGINAL DRAFT                                                     | 08/07/02 | JRK |                                                                                                                                                                                                                                                         |  | CAD #    | TOOL #     |           |
| REV                            | DESCRIPTION                                                        | DATE     | INT | LI1806E800R-10-E                                                                                                                                                                                                                                        |  |          |            | 2 of 2    |

